

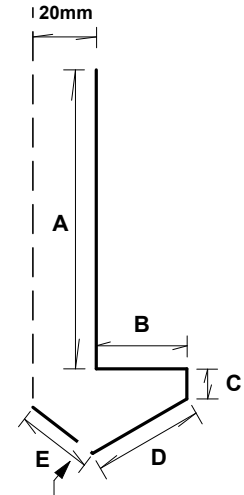
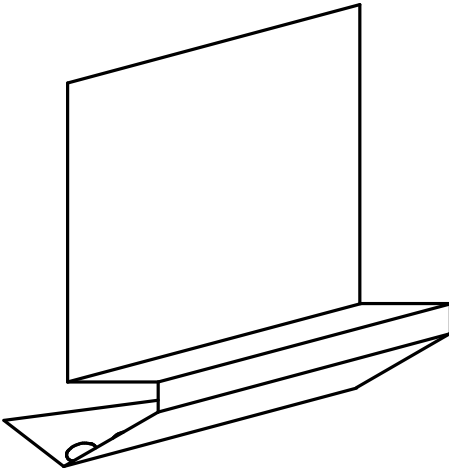


## Base & Cavity Closure Flashing ( Solid Plaster )

Code 01 ( for 20mm cavity )

Code 10 ( for 35mm cavity )

( Code 01 shown )

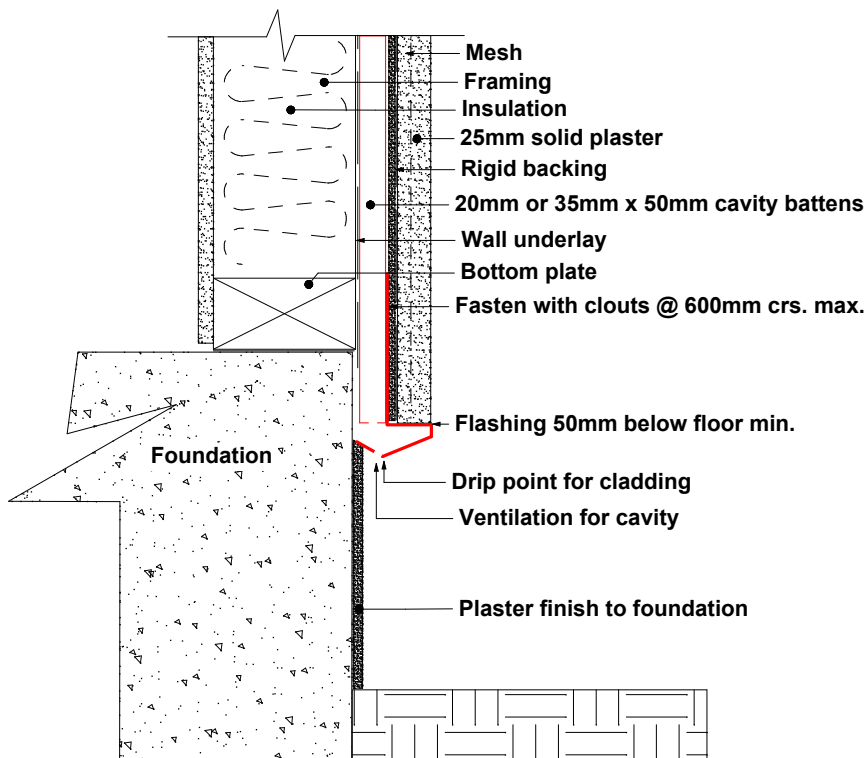


5mm holes @ 15mm crs.

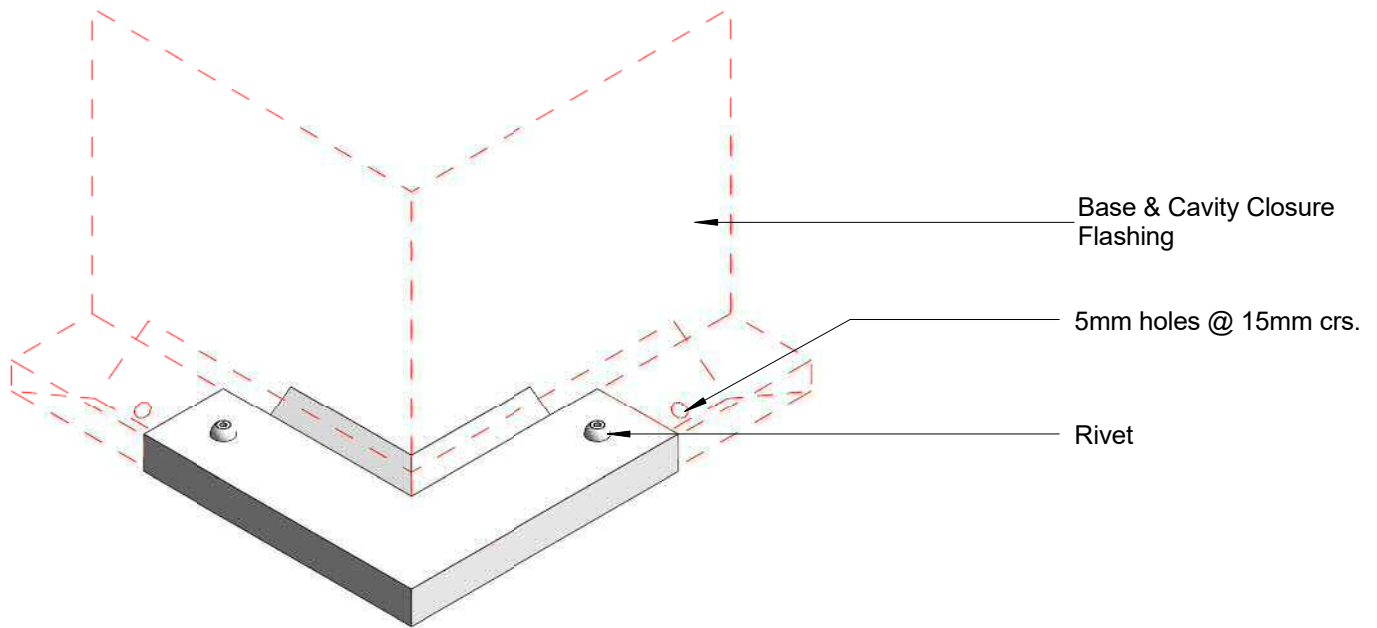
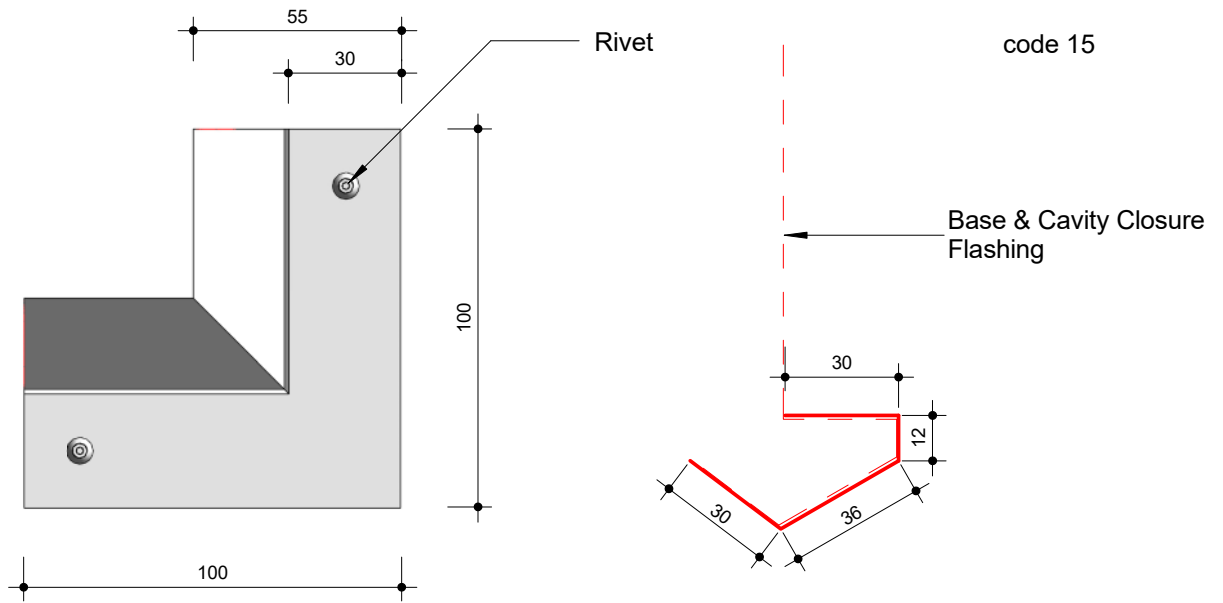
( Note:- Solid plaster & Aluminium should not come in contact. )

Code & Measurements									
	A	B	C	D	E	Aluminium	Galvanised Steel	Colorsteel Maxx	Stainless Steel
Code 01	99mm	30mm	10mm	36mm	25mm	✗	✓	✓	✓
Code 10	83mm	30mm	10mm	52mm	25mm	✗	✓	✓	✓
All flashings made in 3.0m lengths					Refer to tables 20,21 & 22 of E2/AS1 for material selection				

Base & Cavity Closure Flashing allows for venting and draining the cavity as well as providing a straight rigid base for the solid plaster to finish to. The positioning of the drainage holes means that if the foundation is plastered it will not interfere with the air movement and draining of the cavity. External corner joiners code 15 ( fits code 01 ) & code 16 ( fits code 10 ) are recommended, strengthen corners ,save time and leave straight clean lines. We also provide end caps for where the flashing butts into a doorway or just terminates. These are code 44 which fits code 01 and code 45 which fits code 10.

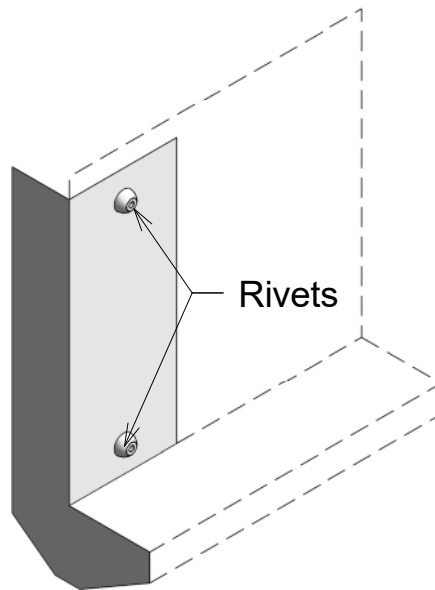
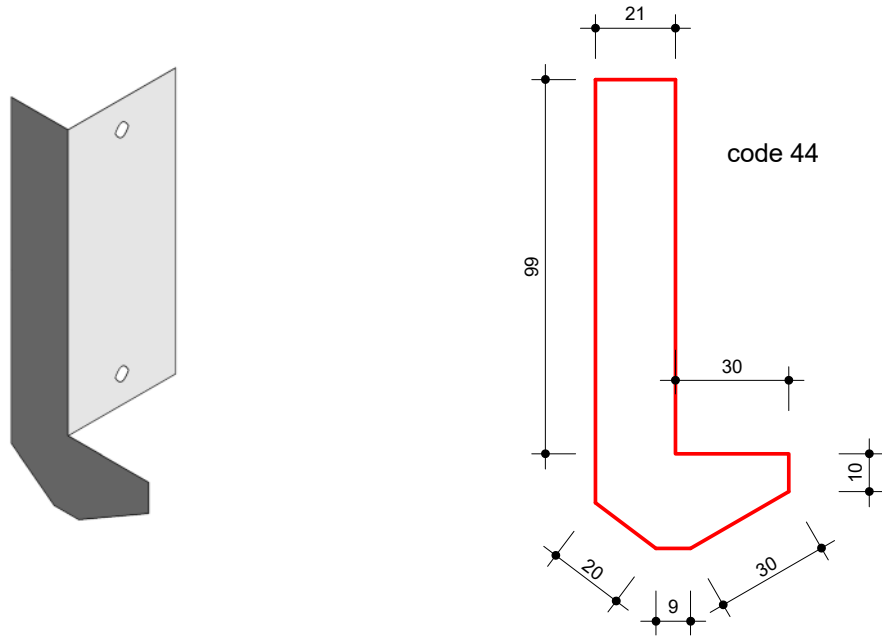






Quickflash Code 15			
Aluminium	Colorsteel Maxx	Galvanised Steel	Stainless Steel
-	Yes	Yes	Yes





### Quickflash Code 44

Aluminium	Colorsteel Maxx	Galvanised Steel	Stainless Steel
No	Yes	Yes	Yes

